



ORIGIN®
ACOUSTICS

Installation Manual

In-Ceiling Dual 6.5” Subwoofer

Model: |
| DSUB6

Enclosure Manual Only for
Port Tube Installation



Table of Contents

Introduction	1
Installation Requirements and Recommendations	2
What's Included.....	2
Required Tools/Items.....	3
Planning	4
Important.....	4
Location.....	5
Installation	6
1) Wiring.....	6
2) Installing the DSUB6.....	7
3) Connecting the Wires.....	8
4) Installing the New Construction Bracket.....	10
5) Drywall.....	10
Troubleshooting	11
Technical Assistance	12
Warranty	12
Limited Lifetime Warranty.....	12
Requirements and Warranty Coverage.....	13
Return Process.....	13
Specifications	14

Introduction

Thank you for purchasing the DSUB6 In-Ceiling Subwoofer. At Origin Acoustics, we take pride in providing you with a high quality product. All of Origin Acoustics' speakers are designed to have excellent sound quality, longevity, and a simple installation process.

The Director Minimal Opening Collection is designed to be visually unobtrusive while maintaining Origin's high quality sound. The DSUB6 subwoofer itself is installed behind the ceiling by attaching the enclosure to one of the joists in the ceiling with the sound being directed into the room via a port tube (sold separately).

This instruction booklet covers the necessary information for a smooth installation of your DSUB6, including: the tools you will need, step-by-step instructions for installation, troubleshooting tips for problems that may occur, and all warranty information. If for any reason you experience problems or if you have installation questions please call us at (844) 674-4461. Hours of operation are 8:00am to 5:00pm (Pacific Time), Monday through Friday.

You will find the instructions for installing the port tube and finishing the install with the port tube cartons.



Installation Requirements and Recommendations

What's Included: DSUB6

- Subwoofer enclosure
- Terminal jumper (for use only when driving the DSUB6 with a single channel)
- Template for locating mounting screws
- Lag screws (x6)
- Washers (x6)

Required Tools/Items

- Speaker wire
- Wire stripper
- Drill (5/16" or 8mm)
- Wrench (1/2")

Speaker Wire Recommendations

For this setup, use a multi-stranded wiring designed for amplifier to speaker connections. The gauge of wire used can have an impact on the performance of your speakers and we would recommend that you choose the largest wire size that is practical for your installation. Which gauge to select depends on the length of wire to be used on any particular speaker. In general the shorter the run the smaller the wire size you can use, however you can never go wrong by using a thicker gauge.

Wire Length		Recommended Gauge
Feet	Meter	
0-100	0-30	16
50-150	15-45	14
100+	30+	12

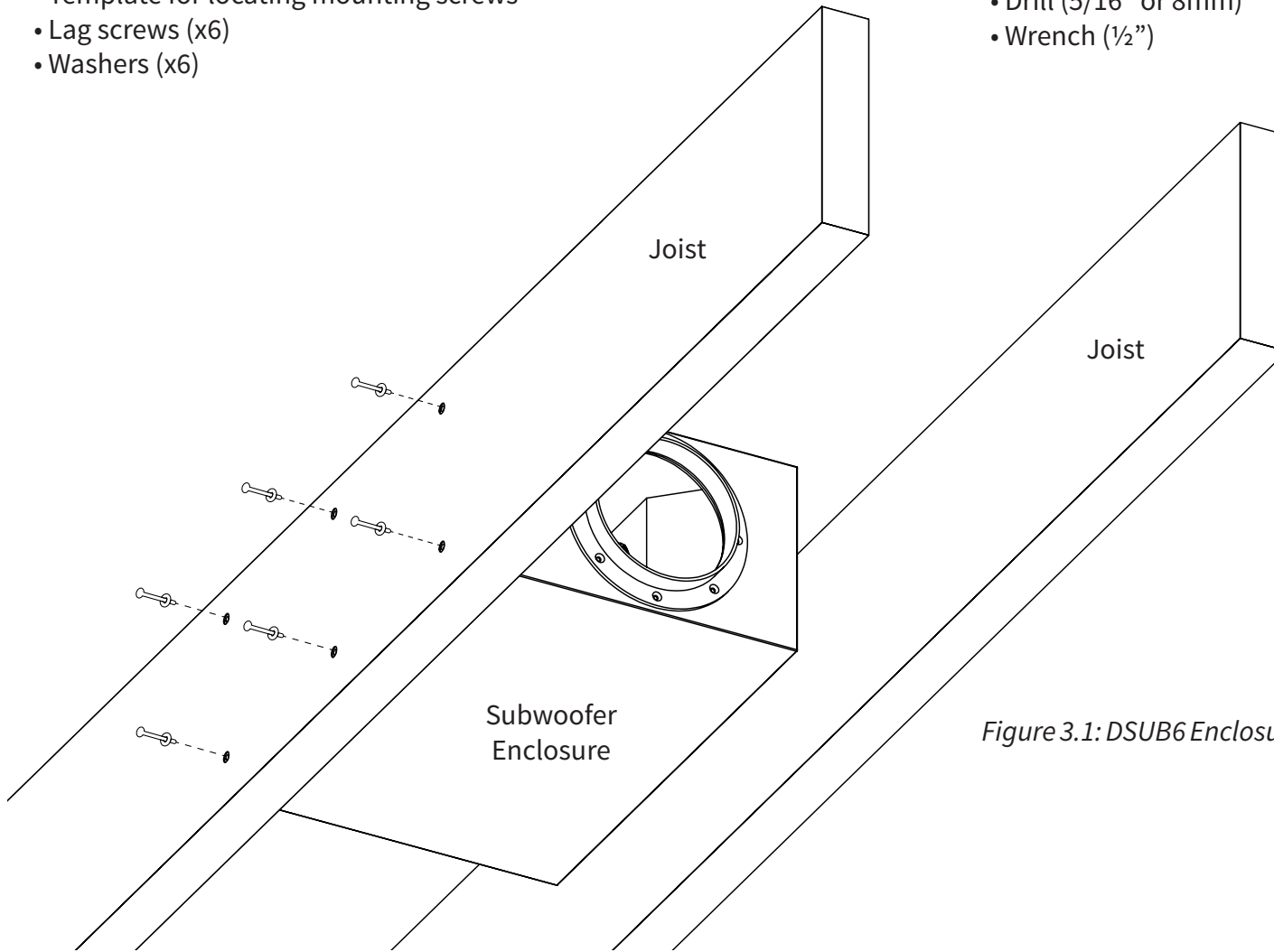


Figure 3.1: DSUB6 Enclosure



Planning

IMPORTANT

The DSUB6 is designed to be flexible, capable of working with different amplifier configurations and port options. Before installing the DSUB6, you will want to know the answer to two questions:

1. Will you be driving it with a 2-channel amplifier or a designated subwoofer amplifier? The 2-channel option works fine but the separate subwoofer amplifier will allow you to adjust the subwoofer output to achieve the sub-to-satellite balance you want regardless of subwoofer location or number of satellite speakers used. If you opt for the separate subwoofer amplifier, you will need to run three paired speaker wires to the speaker location.

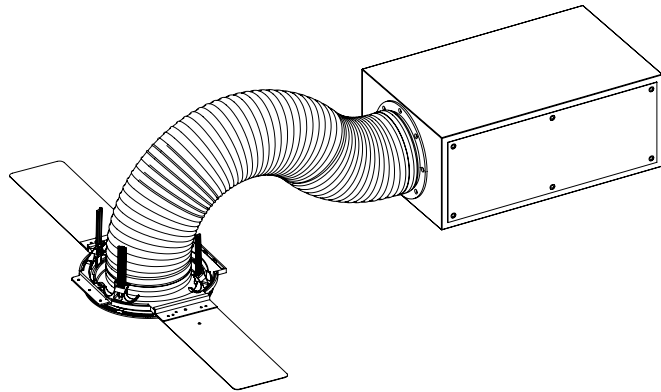


Figure 4.1: DSUB6F68
(6/8" Port)

2. We offer two port options so that the grilles will match any Director speaker you choose. You will want to know at this point if this subwoofer will be used with the Director D38 mini-speakers or with some other Director speaker since the ports are of different lengths and diameters.

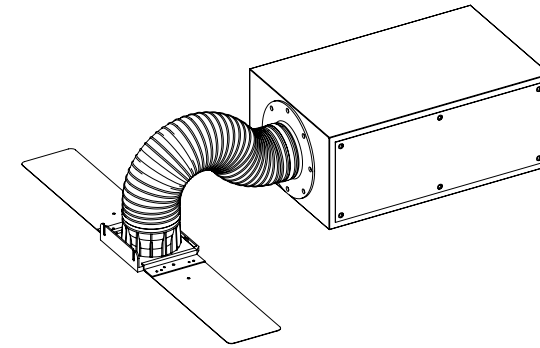


Figure 4.2: DSUB6F3
(4" Port)

Location

Find a location for the subwoofer. Positioning it near the satellite speakers is visually and sonically advantageous; being close to walls, especially corners, is very helpful when maximum loudness is important. Start with where you want the port opening to be. Then determine where the enclosure needs to be placed to allow the port tube to easily reach the desired port opening location. For the subwoofer to fit, the joists need to be at least 14" apart.



Installation

1) Wiring

Plan how you'll route the wire to your desired speaker location. Most likely the DSUB6 will be installed in a new home during construction but you can install it into an existing home if you have access to the space above the ceiling or below the floor. Be sure to avoid all obstacles such as AC wiring, pipes, and ducts.

About Speaker Wire

You will need a wire that has at least two conductors; one that can be identified as the positive and the other as the negative. All two conductor wires have some means of identifying which conductor is which, but at times this identification may be subtle. It's crucial that you keep track of which wire you use for positive (+) and negative (-). Typically if the wires are colored red and black, the red wire is used for positive and the black wire is used for negative, but sometimes other colors or patterns are used. You can choose whichever color of wire you want to be positive and negative as long as you remain consistent throughout the install.

On both your amplifier and your speaker the connectors will be identified as red for positive and black for negative. It is very important to look carefully at the speaker wires and be certain that the same wire that is attached to the positive connector in the amplifier is attached to the positive connector in the speaker.

2) Installing the DSUB6

Hold the template to the joist that you plan on attaching the subwoofer enclosure to. Drill six holes through the marked locations on the template using a 5/16" (8mm) drill bit. Face the enclosure's rubber damping pad towards the joist and secure it in place with the supplied lag screws and washers. We recommend that one person holds the subwoofer in place while another tightens the screws to secure the DSUB6 to the joist.

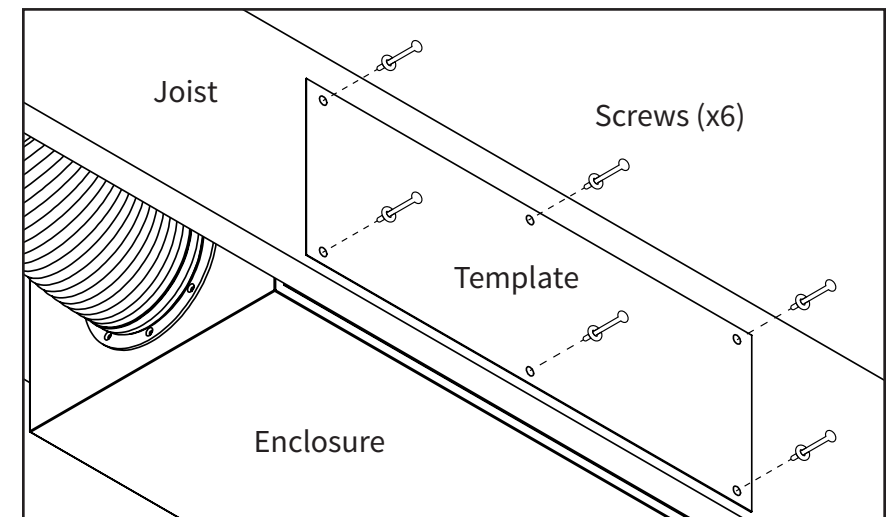


Figure 7.1: Securing DSUB6 to Joist using Template



3) Connecting the Wires

Strip $\frac{1}{4}$ to $\frac{1}{2}$ inch (6 to 12 mm) of the insulation off both ends of the wire and twist the ends to avoid stray strands.

A. When using a 2-Channel Amplifier

Insert the left & right channel wires from the receiver into the connectors labeled “input from amplifier”, making sure that the positive wire is being attached to the red connection and the negative wire is being attached to the black connection. You will also probably want to run the wires from the DSUB6’s terminals labeled “output to speakers” at this time. A zip tie on the enclosure is provided to offer stress release for the wires.

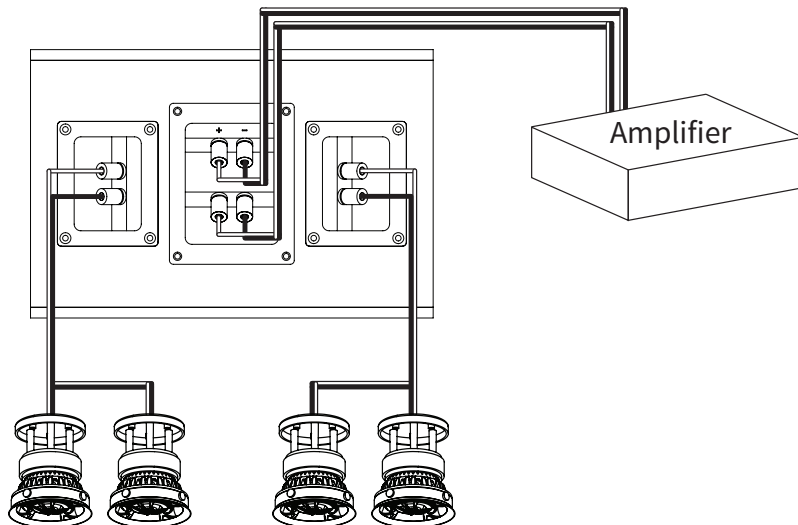


Figure 8.1: 2-Channel Wiring

B. When using a Separate Subwoofer Amplifier

Use the supplied terminal jumper to connect two of the DSUB6 input terminals, then connect the positive wire from the subwoofer amplifier to the positive input terminal and the negative wire the remaining input terminal. The satellite speakers will be wired directly to the 2-channel amplifier.

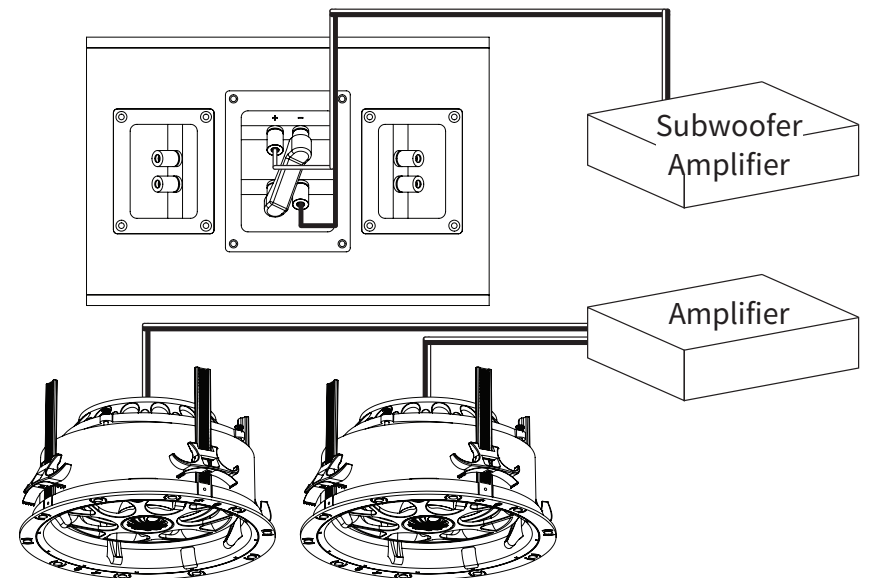


Figure 9.1: Separate Subwoofer Amplifier Wiring

You are now ready to attach the port tube to the enclosure. Refer to the manual included in the port tube carton for instructions.



Technical Assistance

If you have any questions or concerns about installing or using this product, you can reach us through one of the following methods:

Phone: (844) 674-4461

Hours of operation: 8:00am - 5:00pm (Pacific Time), Mon - Fri

Email: techsupport@originacoustics.com

If you are having technical trouble, please include the model number and briefly explain what steps you took to resolve the problem in your email, or be prepared to answer these questions over the phone. If you are considering returning the product, it's required that you contact Origin Acoustics prior to any return attempts. This way we can determine if the issue can be resolved without returning the product, or if needed we can provide instructions and support for the return process.

Warranty

Limited Lifetime Warranty

Origin Acoustics warrants to the original retail purchaser only that this Origin Acoustics product will be free from defects in materials and workmanship, provided the speaker was purchased from an Origin Acoustics authorized dealer.

If the product is determined to be defective, it will be repaired or replaced at Origin Acoustics' discretion. If the product must be replaced yet it is no longer manufactured, it will be replaced with a model of equal to or greater value that is the most similar to the original. If this is the case, installing the replacement model may require mounting modifications; Origin Acoustics will not be responsible for any such related costs.

Requirements and Warranty Coverage

This warranty may not be valid if the product was purchased through an unauthorized dealer. This warranty only applies to the individual that made the original purchase, and it cannot be applied to other purchases. The purchaser must be prepared to provide proof of purchase (receipt). This warranty will not be valid if the identifying number or serial number has been removed, defaced, or altered.

This warranty does not cover the following:

- Accidental damage
- Damage caused by abuse or misuse
- Damage caused by attempted repairs/modifications by anyone other than Origin Acoustics or an authorized dealer
- Damage caused by improper installation
- Normal wear, maintenance, and environmental issues
- Damage caused by voltage inputs in excess of the rated maximum of the unit
- Damage inflicted during the return shipment

Return Process

Before making any return attempts, it is required that you first contact Origin Acoustics. Return product to Origin Acoustics or your dealer, either in person or by mail. It's preferable if the product is returned in the original packaging. If this isn't possible, the customer is responsible for insuring the shipment for the full value of the product.

This warranty is in lieu of all other expressed or implied warranties. Some states do not allow limitations on implied warranties, so this may not apply depending on the customer's location. (For more information, see Magnuson-Moss Warranty Act.)

Specifications

Model Number	DSUB6
Part Number	DSUB6000
Woofers Cone Material	Polypropelene with rubber surround
Woofers Diameter	6.5" (165mm)
Frequency Response	37 to 140Hz \pm 3dB
Impedance	8 ohm nominal, 6 ohm min
Power Handling	150 Watts
Sensitivity	86dB
Enclosure Dimensions	7.9x11.8x17" (200x300x430mm)
Mounting Depth	7.9" (200mm)

©2016 Origin Acoustics. All copyrighted, trademarked and patented elements mentioned herein are the sole property of Origin Acoustics.





ORIGIN®
ACOUSTICS

Installation Manual

In-Ceiling Dual 6.5” Subwoofer

Model: | DSUB6F3

Manual Only for Port Tube &
Finishing Kit Installation



Table of Contents

Introduction	1
Installation Requirements and Recommendations	2
What's Included.....	2
Required Tools/Items.....	2
Installation	3
IMPORTANT.....	3
1) Installation before Drywall.....	3
2) Installation after Drywall.....	4
3) Mounting the Grille.....	4
4) Painting the Grille.....	5
Specifications	6
Troubleshooting	7
Technical Assistance	8
Warranty	8
Limited Lifetime Warranty.....	8
Requirements and Warranty Coverage.....	9
Return Process.....	9



Introduction

This instruction manual is for the 4" port tube designed to work with DSUB6 subwoofer and grilles that match the D38 mini speaker. It covers the necessary information for a smooth installation including: the tools you will need, step-by-step instructions for installation, troubleshooting tips for problems that may occur, and all warranty information. If for any reason you experience problems or if you have installation questions please call us at (844) 674-4461. Hours of operation are 8:00am to 5:00pm (Pacific Time), Monday through Friday.

Installation Requirements and Recommendations

What's Included: DSUB6F3

- 4" port tube with plastic connectors on both ends
- One pair of new construction wings
- Flathead screws (x8)
- Small carton containing:
 - Round grille*
 - Square grille*
 - Trim ring*
 - Flathead screws (x3)*

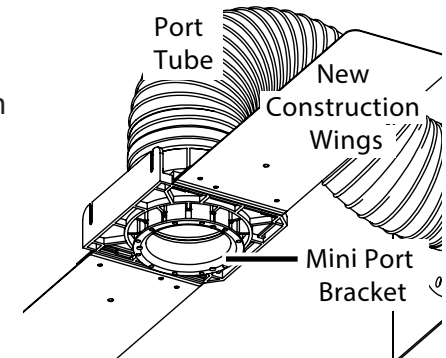


Figure 2.1: Mini Port Bracket

Required Tools/Items

- Measuring tape
- #1 phillips screwdriver
- #2 phillips screwdriver
- Hammer or screw gun

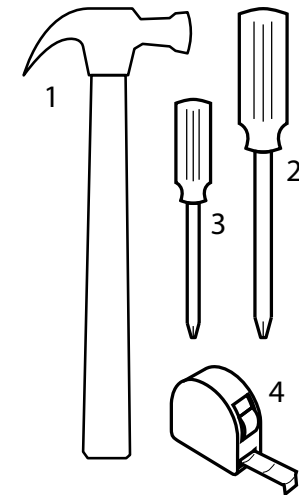


Figure 2.2: Tools



Installation

IMPORTANT

These instructions are intended for new construction installs but you can use them for retrofit installs provided you have access to the space behind the port opening. The DSUB6 enclosure should already be installed with the open end of port tube reaching its desired location.

Installation before Drywall

Use the 8 supplied screws to attach the port tube to the enclosure.

The Mini Port Bracket will serve as your new construction bracket. You can attach it directly to a joist or use the supplied new construction wings to position it precisely where you want it.

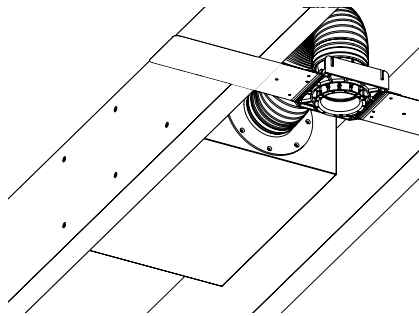


Figure 3.2: Installed Port Tube

Once the port tube is secured at each end, test the wired DSUB6 to see that it's working properly. If you are using 2 channels of input, make sure to test both.

Installation after Drywall

Slip the trim ring through the hole in the drywall and into the port opening. You may need to rotate it slightly to get it to seat into place. Using the three supplied screws and a #1 phillips screwdriver, fasten the trim ring to the port opening so that it fits snugly against the ceiling surface.

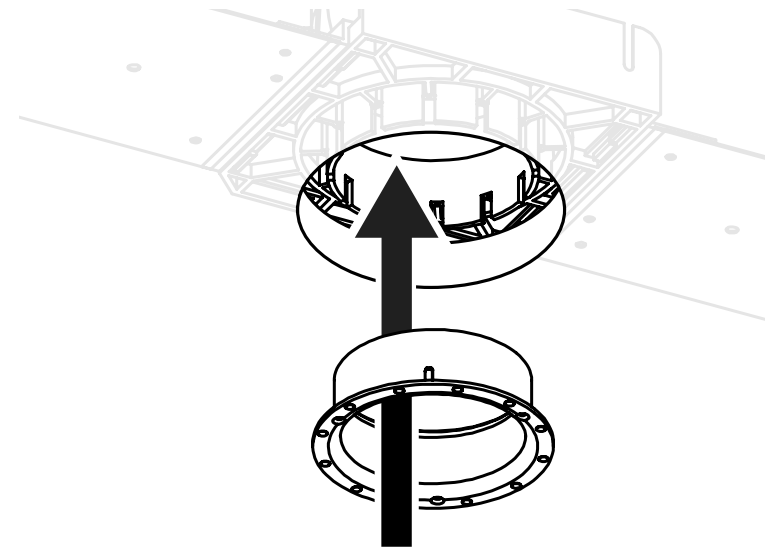


Figure 4.1: Trim Ring Install

Mounting the Grille

The DSUB6 4" Port Tube kit comes with a round and square grille so that you can pick the one that best matches the rest of the room's interior design. Simply fit the selected grille over the speaker and it will be held in place with magnets.



Specifications

Model Number	DSUB6F68
Part Number	DSUB6F680
Grille Diameter (Round)	10" (253mm)
Port Tube Dimensions (Diameter x Length)	6x31" (152x800mm)
Cutout Diameter	8.75" (222mm)

Troubleshooting

If possible, it's often good to try to isolate the problem first. For example, if you're playing a DVD on a television and there's no sound, try connecting an MP3 player to the system to see if that works. If it does work, then the problem is with the television, DVD player, or the cables connecting them. If it doesn't work, the problem will be with the amplifier, speakers, or those cables.

Problem	Possible Cause
No Sound	The volume may be turned down or muted. Check the volume settings on both the amplifier and the television/computer/CD player/etc.
	Make sure the proper source is selected on the amplifier or receiver.
	Check the cord connecting the amplifier with the source. The cord may be damaged or plugged into the wrong input or output.
	Check the wires connecting the amplifier with the speakers. Make sure they're connected properly and not damaged in any way.
Poor Sound Quality	If you hear something like static, or the sound is cutting in and out, check the audio cables. If the problem increases when a cable is being moved, then the cable is most likely faulty or not connected properly.
	Today's audio systems may have several places to adjust the volume, for example your MP3 player may have a volume control, and your amplifier may also have one. Check to be certain that the volume isn't turned up past 80% on any device.
	Try changing sources to be certain that the selection you've chosen is a good quality recording.



Technical Assistance

If you have any questions or concerns about installing or using this product, you can reach us through one of the following methods:

Phone: (844) 674-4461

Hours of operation: 8:00am - 5:00pm (Pacific Time), Mon - Fri

Email: techsupport@originacoustics.com

If you are having technical trouble, please include the model number and briefly explain what steps you took to resolve the problem in your email, or be prepared to answer these questions over the phone. If you are considering returning the product, it's required that you contact Origin Acoustics prior to any return attempts. This way we can determine if the issue can be resolved without returning the product, or if needed we can provide instructions and support for the return process.

Warranty

Limited Lifetime Warranty

Origin Acoustics warrants to the original retail purchaser only that this Origin Acoustics product will be free from defects in materials and workmanship, provided the speaker was purchased from an Origin Acoustics authorized dealer.

If the product is determined to be defective, it will be repaired or replaced at Origin Acoustics' discretion. If the product must be replaced yet it is no longer manufactured, it will be replaced with a model of equal to or greater value that is the most similar to the original. If this is the case, installing the replacement model may require mounting modifications; Origin Acoustics will not be responsible for any such related costs.

Requirements and Warranty Coverage

This warranty may not be valid if the product was purchased through an unauthorized dealer. This warranty only applies to the individual that made the original purchase, and it cannot be applied to other purchases. The purchaser must be prepared to provide proof of purchase (receipt). This warranty will not be valid if the identifying number or serial number has been removed, defaced, or altered.

This warranty does not cover the following:

- Accidental damage
- Damage caused by abuse or misuse
- Damage caused by attempted repairs/modifications by anyone other than Origin Acoustics or an authorized dealer
- Damage caused by improper installation
- Normal wear, maintenance, and environmental issues
- Damage caused by voltage inputs in excess of the rated maximum of the unit
- Damage inflicted during the return shipment

Return Process

Before making any return attempts, it is required that you first contact Origin Acoustics. Return product to Origin Acoustics or your dealer, either in person or by mail. It's preferable if the product is returned in the original packaging. If this isn't possible, the customer is responsible for insuring the shipment for the full value of the product.

This warranty is in lieu of all other expressed or implied warranties. Some states do not allow limitations on implied warranties, so this may not apply depending on the customer's location. (For more information, see Magnuson-Moss Warranty Act.)

©2016 Origin Acoustics. All copyrighted, trademarked and patented elements mentioned herein are the sole property of Origin Acoustics.

